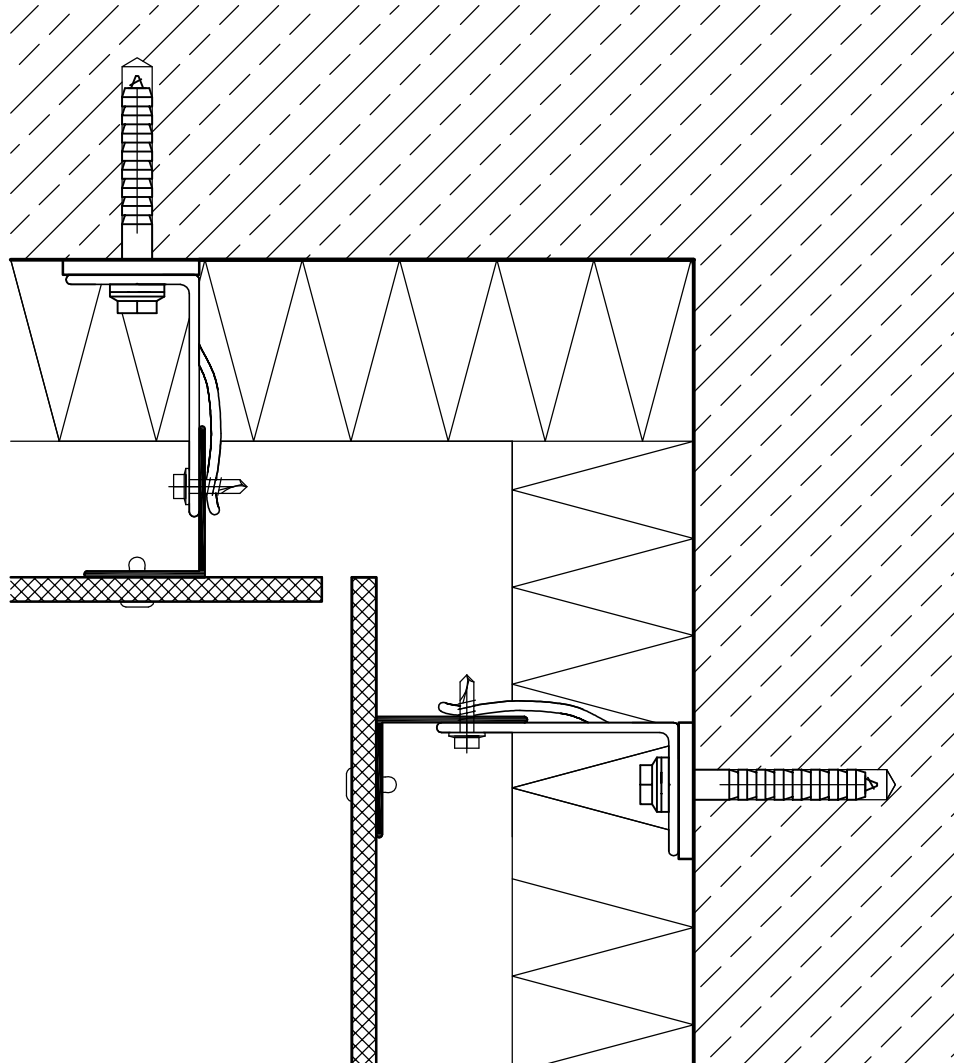


Sub framing - System NFT-SL RAPID 210

PLAN VIEW Inner building corner



Detail is subject to modification anytime

Comply with code / regulations for anchors